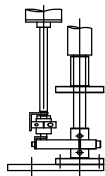
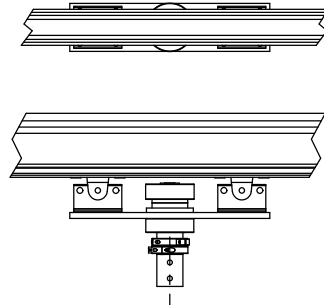
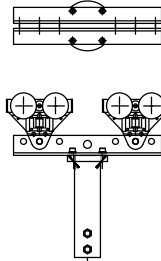
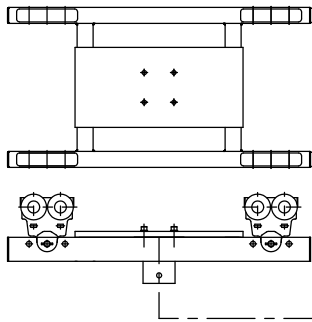


500 NM TORQUE TUBE

4-TROLLEY CARRIAGE

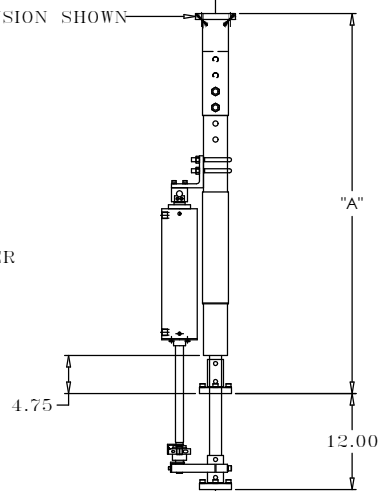
2-TROLLEY CARRIAGE

PIVOT W/BRAKE
(BRAKE CAPACITY 500 NM)

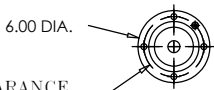
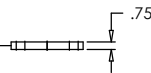
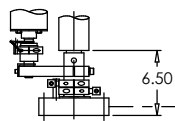


OFFSET OPTION:
OFFSET DISTANCE
OFFSET DIRECTION—IN LINE W/ CYLINDER
CAN NOT BE PERPENDICULAR TO CYLINDER

12" EXTENSION SHOWN



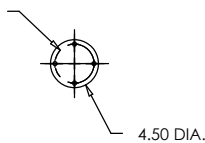
12" STROKE SHOWN
(UNIT MAY BE ADJUSTED UP OR DOWN 4")



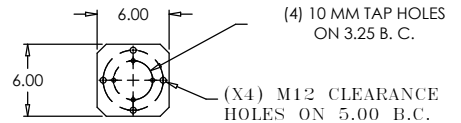
(X4) M12 CLEARANCE HOLES ON 5.00 B.C.

PIVOT W/O BRAKE

(4) M10 CLEARANCE HOLES ON 3.25 B.C.



STD MTG PLATE



ADAPTOR PLATE

STROKE	DIM	
		"A"
6"		41.50
12"		47.50
18"		53.50
24"		59.50
30"		65.50
36"		71.50

BORE	LIFTING CAPACITY @ 60 PSI	
	3 1/4"	
4"		511 LBS
5"		834 LBS

BORE	OFFSET LOAD CAPACITY @ 60 PSI		
	6.00"	12.00"	18.00"
3 1/4"	*	*	*
4"	*	*	*
5"	*	*	*